

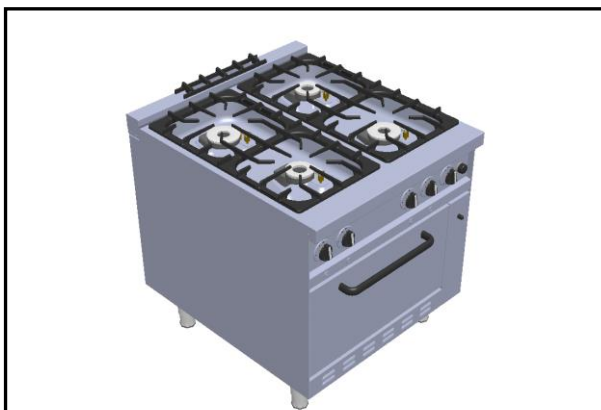


Total Food-Service Solutions

## Modular Cooking –Grandis 900

### Gas Range

#### NGR 8-90 GR



\*Due to routine technical improvement, the photograph shown may not represent the latest design of the products.

#### AVAILABLE MODEL

1. NGR 8-90 GR

#### DESCRIPTION

Gas Range w/ Oven with 39 kW power rate. Oven temperature maintained by thermostat with maximum working temperature of 310°C.

Unit to be installed on open cabinet or similar elements, cantilever, or solid block solutions. Featuring removable clip joint to connect Grandis family product.

ITEM# : \_\_\_\_\_

MODEL# : \_\_\_\_\_

NAME : \_\_\_\_\_

SN : \_\_\_\_\_

#### MAIN FEATURE

- Gas system is equipped with flame failure device.
- Open burner configuration of 2 x 5.5 kW and 2 x 10 kW.
- Gas oven with 8 kW power rate.
- Maximum oven working temperature of 310°C.
- Cast iron pot holder with long fin to support various size of pot or pan.
- Easy oven hinge, which is removable for easier cleaning and maintenance.
- Oven handle made from non heating material, to prevent injury during high temperature operation.

#### CONSTRUCTION

- All exterior panels in 304 type of Stainless Steel
- Orbital top panel anti-scratch finishing.
- Top with 2.0 mm thick surface.
- Side with 0.8 mm thick surface.
- Adjustable ±25 mm Stainless Steel leg.

#### INCLUDED ACCESSORIES

- Grill Oven
- Extra Nozzle (Main Burner & Pilot Burner)

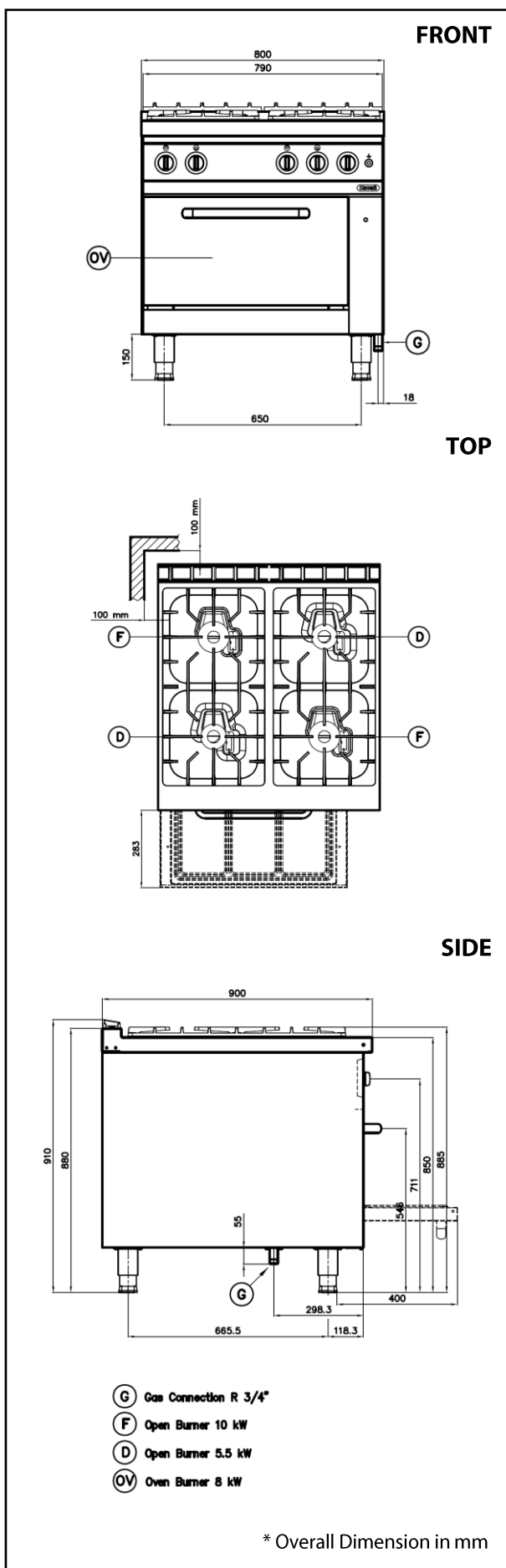
#### OPTIONAL ACCESSORIES

- Clip Plate for Joining

: \_\_\_\_\_

The company reserves the right to make modifications to the products without prior notice. All information correct at time of printing. 2017.12.06





**GAS**

Gas Power	:	39 kW (33,540kCal/h)
Gas Type Option	:	G30/G31, G20
Gas Inlet	:	R 3/4"
Natural Gas-Pressure	:	G20: 20 mbar
LPG Gas Pressure	:	28-30 mbar/ 37 mbar

**KEY INFORMATION**

Cooking Surface Width	:	2x(370x725) mm
Cooking Surface Oven	:	575x666x305
Direct Heat Emission	:	7.75 kW
Direct Heat Emission (Oven)	:	2.80 kW
Latent Heat Emission	:	3.10 kW
Latent Heat Emission (Oven)	:	1.60 kW
Steam Emission	:	4.56 kg / h
Steam Emission (Oven)	:	2.35 kg / h
Oven Burner	:	8 kW
Max Size Pan	:	Ø : 40 cm
Net weight	:	126 kg
Shipping height	:	1020 mm
Shipping width	:	855 mm
Shipping depth	:	995 mm
Shipping volume	:	0.868 m <sup>3</sup>